

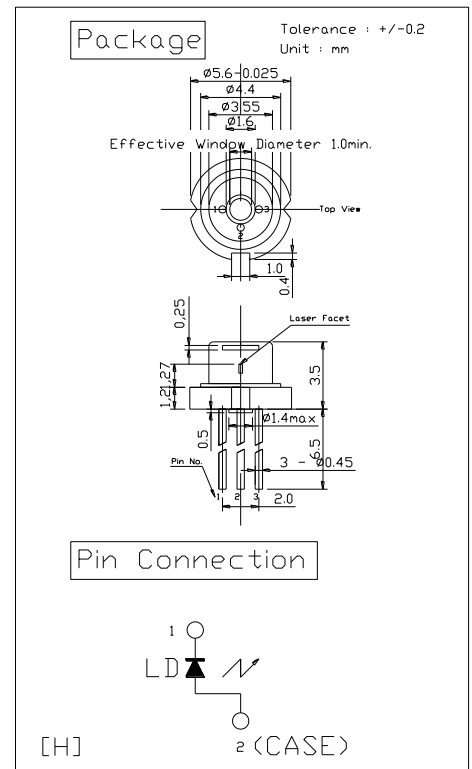
HLD980200H4T 980nm 200mW 40°C Laser Diodes

■ Specifications

Wavelength: 980nm
 Light Output: 200mW CW
 Package Type: TO-18(Φ5.6mm)

■ Absolute Maximum Ratings (Tc=25°C)

Parameter	Symbols	Ratings	Units
Optical Output	Po(CW)	200	mW
Reverse Voltage	Vr	2	V
Operating Temperature	Top	-10 ~ +40	°C
Storage Temperature	Tstg	-40 ~ +80	°C



■ Electrical and optical Characteristics(Tc=25°C)

Parameter	Symbols	Conditions	Min	Typ	Max	Units	
Threshold Current	Ith	-	-	65	105	mA	
Operating Current	Iop	Po=200mW	-	320	360	mA	
Operating Voltage	Vop	Po=200mW	-	1.6	2.1	Volts	
Slope Efficiency	η	-	0.5	0.8	-	mW/mA	
Beam Divergence (FWHM)	Parallel	$\theta \parallel$	Po=200mW	8	12	14	deg
	Perpendicular	$\theta \perp$	Po=200mW	30	35	40	deg
Parallel Deviation Angle	$\Delta \theta \parallel$	Po=200mW	-3	-	3	deg	
Perpendicular Deviation Angle	$\Delta \theta \perp$	Po=200mW	-3	-	3	deg	
Emission Point Accuracy	$\Delta X, \Delta Y, \Delta Z$	Po=200mW	-80	-	80	um	
Lasing Wavelength	λ_p	Po=200mW	965	980	995	nm	

Im is sorting by custom's need

© $\theta \parallel$ and $\theta \perp$ are defined as the angle within which the intensity is 50% of the peak value.